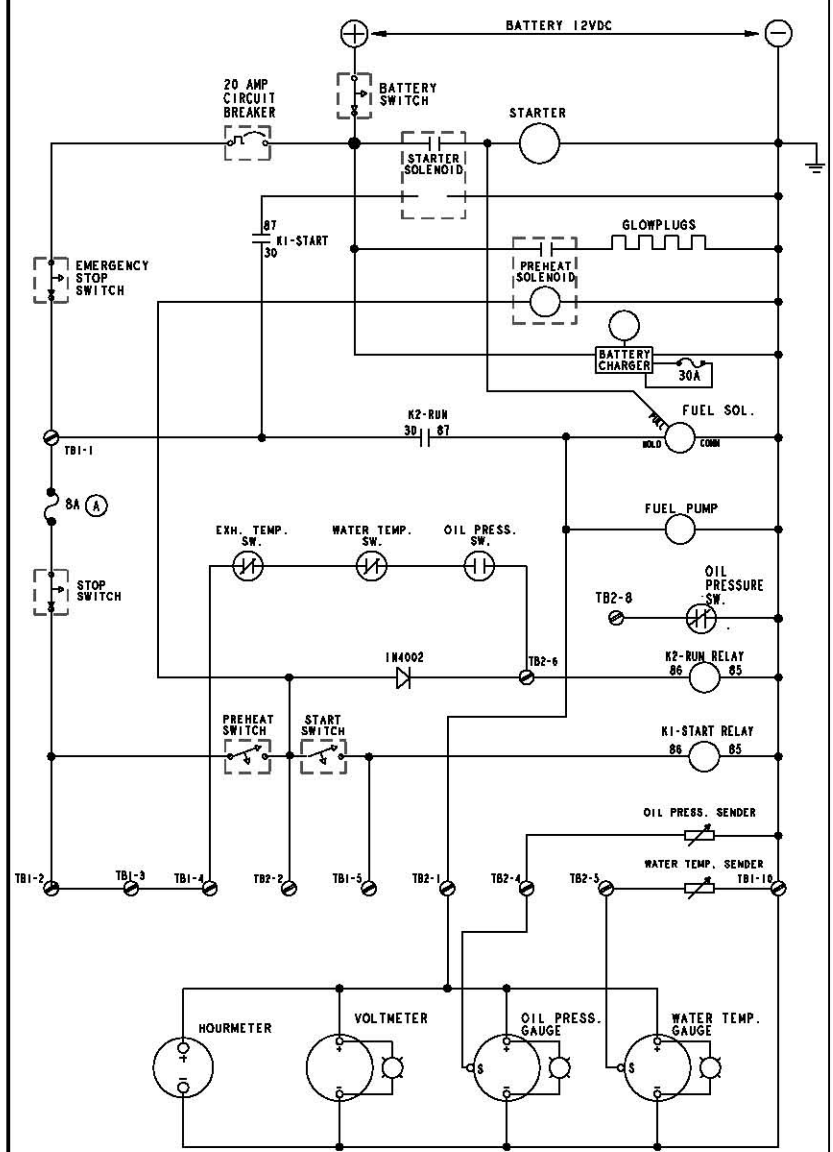
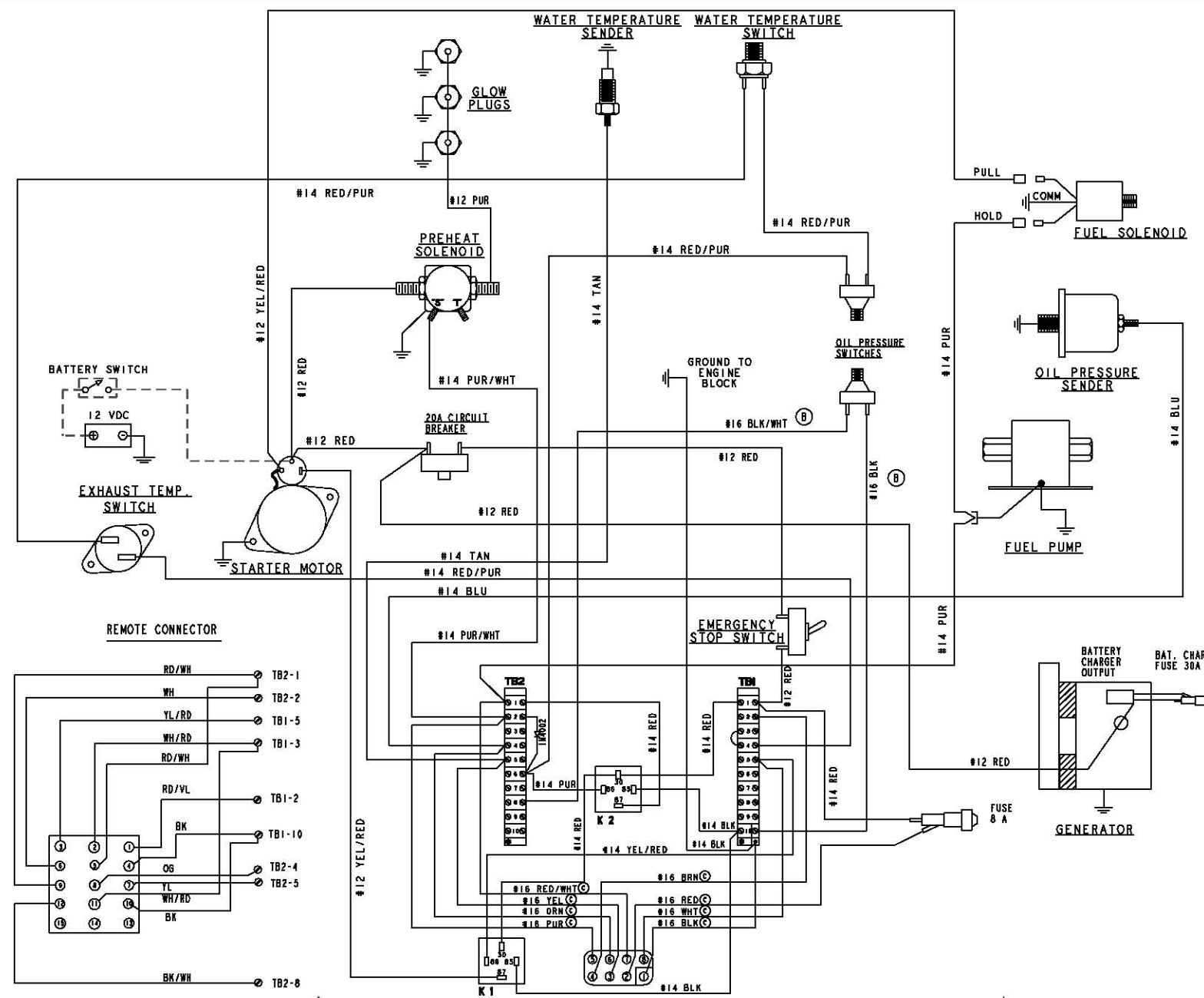


ECO NO.	DATE	REV.	REVISION RECORD	AUTH.	BY
4088	5/11/99	A	MOVED FUSE	JCC	
4127	8/21/99	B	#16 BLK/WHT WAS #16 GRN #16 TAN WAS #16 BLU	JRS	
4326	11/30/99	C	REMOVED JUMPER AND NOTES FROM TB1-2 TO TB1-3 CHANGED 6 PIN PLUG WIRE GA. TO 18	JRS	



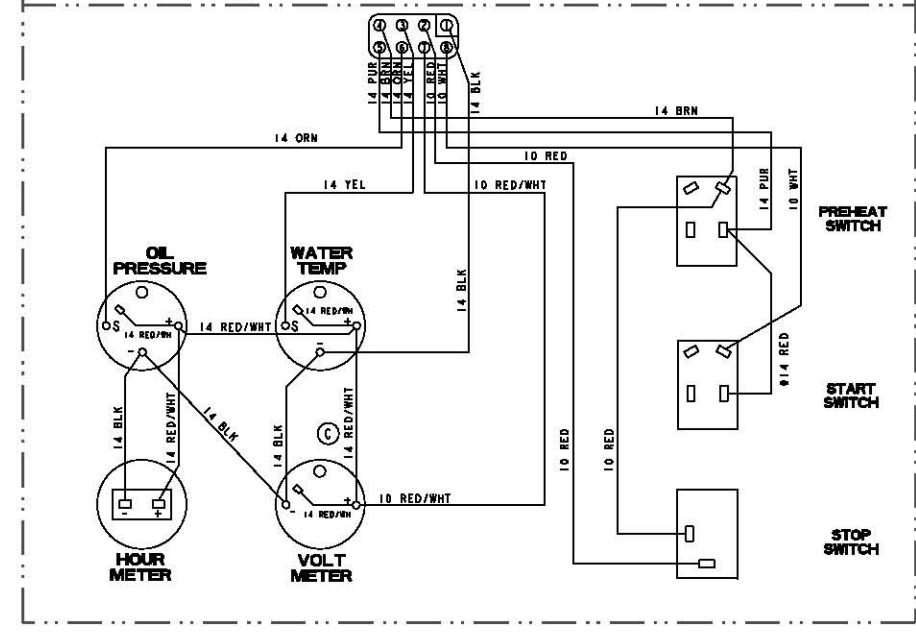
**STARTING AND STOPPING INSTRUCTIONS:**

- START:**
1. ALWAYS PUSH PREHEAT SWITCH FIRST. HOLD FOR 15 TO 60 SECONDS AS REQUIRED.
  2. WHILE CONTINUING TO PUSH PREHEAT SWITCH, PUSH START SWITCH.
  3. WHEN GENERATOR STARTS, RELEASE START SWITCH ONLY.
  4. WHEN OIL PRESSURE REACHES APPROXIMATELY 20 PSI, RELEASE PREHEAT SWITCH. (THE PREHEAT SWITCH OVERRIDES THE LOW OIL PRESSURE SHUT DOWN CIRCUIT).

- STOP:**
1. PUSH AND HOLD THE STOP SWITCH UNTIL GENERATOR STOPS COMPLETELY.

**NOTES:**

1. THIS PRODUCT IS PROTECTED BY A MANUAL RESET CIRCUIT BREAKER LOCATED NEAR THE STARTER AND AS CLOSE TO THE CURRENT SOURCE AS POSSIBLE. EXCESSIVE CURRENT DRAW ANYWHERE IN THE INSTRUMENT PANEL, WIRING, OR ENGINE WILL CAUSE THE BREAKER TO TRIP. IN THIS EVENT MOST GENERATORS WILL SHUT DOWN BECAUSE TO OPENED BREAKER DISCONNECTS THE FUEL SPRAY. THEREFORE THE OWNER/BUILDER MUST BE SURE THAT THE INSTRUMENT PANEL, WIRING, AND ENGINE ARE INSTALLED TO PREVENT CONTACT BETWEEN ELECTRICAL DEVICES AND SALT WATER.
2. AN ON/OFF SWITCH SHOULD BE INSTALLED IN THIS CIRCUIT TO DISCONNECT THE STARTER FROM THE BATTERY IN AN EMERGENCY AND WHEN LEAVING THE BOAT. TWELVE VOLT DIESEL ENGINE STARTERS SHOULD NOT EXCEED 30 SECONDS. A SWITCH WITH A CONTINUOUS RATING OF 175 AMPS AT 12 VDC WILL NORMALLY SERVE THIS FUNCTION, BUT A SWITCH MUST NEVER BE USED TO "MAKE" THE STARTER CIRCUIT.



TOLERANCES		WESTERBEKE CORPORATION	
UNLESS OTHERWISE SPECIFIED		AVON MA. 02322	
INCHES	FRACTIONS	MM	DECIMALS
±.0005	±.0001	±.025	±.001
±.001	±.0002	±.050	±.002
±.002	±.0003	±.100	±.003
±.003	±.0004	±.150	±.004
±.004	±.0005	±.200	±.005
±.005	±.0006	±.250	±.006
±.006	±.0007	±.300	±.007
±.007	±.0008	±.350	±.008
±.008	±.0009	±.400	±.009
±.009	±.0010	±.450	±.010
±.010	±.0011	±.500	±.011
±.011	±.0012	±.550	±.012
±.012	±.0013	±.600	±.013
±.013	±.0014	±.650	±.014
±.014	±.0015	±.700	±.015
±.015	±.0016	±.750	±.016
±.016	±.0017	±.800	±.017
±.017	±.0018	±.850	±.018
±.018	±.0019	±.900	±.019
±.019	±.0020	±.950	±.020
±.020	±.0021	±.1000	±.021
±.021	±.0022	±.1050	±.022
±.022	±.0023	±.1100	±.023
±.023	±.0024	±.1150	±.024
±.024	±.0025	±.1200	±.025
±.025	±.0026	±.1250	±.026
±.026	±.0027	±.1300	±.027
±.027	±.0028	±.1350	±.028
±.028	±.0029	±.1400	±.029
±.029	±.0030	±.1450	±.030
±.030	±.0031	±.1500	±.031
±.031	±.0032	±.1550	±.032
±.032	±.0033	±.1600	±.033
±.033	±.0034	±.1650	±.034
±.034	±.0035	±.1700	±.035
±.035	±.0036	±.1750	±.036
±.036	±.0037	±.1800	±.037
±.037	±.0038	±.1850	±.038
±.038	±.0039	±.1900	±.039
±.039	±.0040	±.1950	±.040
±.040	±.0041	±.2000	±.041
±.041	±.0042	±.2050	±.042
±.042	±.0043	±.2100	±.043
±.043	±.0044	±.2150	±.044
±.044	±.0045	±.2200	±.045
±.045	±.0046	±.2250	±.046
±.046	±.0047	±.2300	±.047
±.047	±.0048	±.2350	±.048
±.048	±.0049	±.2400	±.049
±.049	±.0050	±.2450	±.050
±.050	±.0051	±.2500	±.051
±.051	±.0052	±.2550	±.052
±.052	±.0053	±.2600	±.053
±.053	±.0054	±.2650	±.054
±.054	±.0055	±.2700	±.055
±.055	±.0056	±.2750	±.056
±.056	±.0057	±.2800	±.057
±.057	±.0058	±.2850	±.058
±.058	±.0059	±.2900	±.059
±.059	±.0060	±.2950	±.060
±.060	±.0061	±.3000	±.061
±.061	±.0062	±.3050	±.062
±.062	±.0063	±.3100	±.063
±.063	±.0064	±.3150	±.064
±.064	±.0065	±.3200	±.065
±.065	±.0066	±.3250	±.066
±.066	±.0067	±.3300	±.067
±.067	±.0068	±.3350	±.068
±.068	±.0069	±.3400	±.069
±.069	±.0070	±.3450	±.070
±.070	±.0071	±.3500	±.071
±.071	±.0072	±.3550	±.072
±.072	±.0073	±.3600	±.073
±.073	±.0074	±.3650	±.074
±.074	±.0075	±.3700	±.075
±.075	±.0076	±.3750	±.076
±.076	±.0077	±.3800	±.077
±.077	±.0078	±.3850	±.078
±.078	±.0079	±.3900	±.079
±.079	±.0080	±.3950	±.080
±.080	±.0081	±.4000	±.081
±.081	±.0082	±.4050	±.082
±.082	±.0083	±.4100	±.083
±.083	±.0084	±.4150	±.084
±.084	±.0085	±.4200	±.085
±.085	±.0086	±.4250	±.086
±.086	±.0087	±.4300	±.087
±.087	±.0088	±.4350	±.088
±.088	±.0089	±.4400	±.089
±.089	±.0090	±.4450	±.090
±.090	±.0091	±.4500	±.091
±.091	±.0092	±.4550	±.092
±.092	±.0093	±.4600	±.093
±.093	±.0094	±.4650	±.094
±.094	±.0095	±.4700	±.095
±.095	±.0096	±.4750	±.096
±.096	±.0097	±.4800	±.097
±.097	±.0098	±.4850	±.098
±.098	±.0099	±.4900	±.099
±.099	±.0100	±.4950	±.100